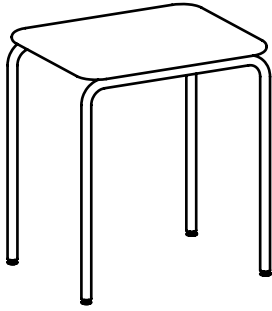


Makr Student Desk



Options / Notes:

Table Height: 29.5"

TFL Edge: edgeband ONLY

HPL Edge: edgeband / MDF 90 /
MDF Knife / MDF trim

PLY/Richlite Edge: PLY 90 / PLY
knife

Powdercoat MDF: MOQ of 50,
smaller orders may effect price

Dimensions

Surface Material

D	W	MODEL NUMBER	TFL	HPL/ Mirlux	PLY	*Richlite	**Powdercoat MDF
20"	27"	SC-SD-2027-29	315	420	595	725	525

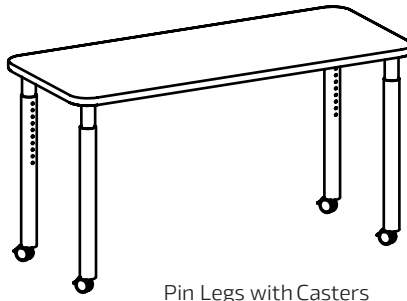
*Richlite comes with 1/8"phenolic resin face veneers and a 3/4"baltic birch plywood core.

**Powdercoat MDF has a MOQ of 50,smaller orders may effect price. Inquire for leadtimes.

Makr Simple Table



Fixed Legs with Glides



Pin Legs with Casters

Options / Notes:

Pin Adj. w/ Casters: +\$520

Pin Adj. w/o Casters: +\$520

Pin Adj. Wheel barrow: +\$520

Custom Power Cutouts: +\$190

TFL Edge: edgeband ONLY

HPL Edge: edgeband / MDF 90 /
MDF Knife / MDF trim

PLY/Richlite Edge: 90 / PLY knife

Anti Sag: Standard on all Tables

Corner Radius: 3"

Dimensions

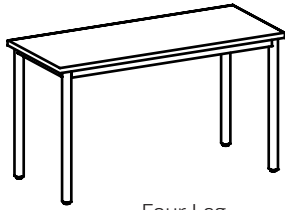
Surface Material

D	W	MODEL NUMBER	TFL	HPL/ Mirlux	PLY	*Richlite	**Powdercoat MDF
24"	48"	SC-ST-2448-29	815	1040	1545	1685	1360
24"	60"	SC-ST-2460-29	870	1140	1610	1955	1550
24"	72"	SC-ST-2472-29	920	1245	1810	2235	1740
30"	48"	SC-ST-3048-29	865	1135	1600	1950	1545
30"	60"	SC-ST-3060-29	925	1265	1850	2280	1780
30"	72"	SC-ST-3072-29	985	1395	2100	2620	2010
36"	48"	SC-ST-3648-29	910	1230	1795	2215	1725
36"	60"	SC-ST-3660-29	980	1390	2085	2010	2010
36"	72"	SC-ST-3672-29	1050	1545	2390	2280	2280

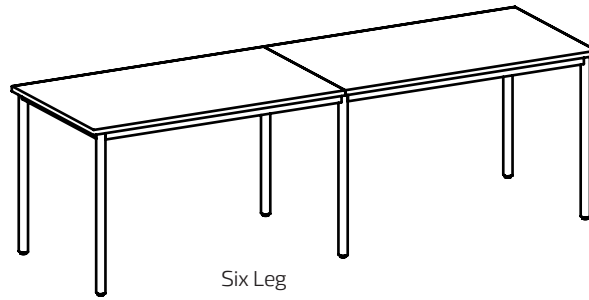
*Richlite comes with 1/8" phenolic resin face veneers and a 3/4" baltic birch plywood core.

**Powdercoat MDF has a MOQ of 50, smaller orders may effect price. Inquire for leadtimes.

Makr Heavy Duty Table



Four Leg



Six Leg

Options / Notes:

Casters: +\$190 (height not altered)

6 Leg: Tables over 72" have 6 legs

2 piece Top: Tables over 96" Table

Height: 29.5" / 36" +\$295 / 42" +\$295

Custom Power Cutouts: +\$190

TFL Edge: edgeband ONLY

HPL Edge: edgeband / MDF 90 /

MDF Knife / MDF trim

PLY Edge: PLY 90 / PLY knife

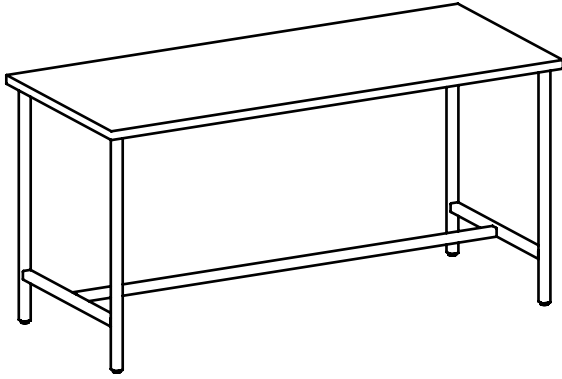
Dimensions

Surface Material

D	W	MODEL NUMBER	TFL	HPL/ Mirlux	PLY	*Richlite
24"	48"	SC-HDT-2448	2700	2920	3295	3565
24"	60"	SC-HDT-2460	2750	2020	3495	3835
24"	72"	SC-HDT-2472	2805	3125	3690	4115
24"	84"	SC-HDT-2484	4540	4920	5575	6065
24"	96"	SC-HDT-2496	4725	5160	5905	6470
24"	108"	SC-HDT-24108	4775	5270	6105	6740
24"	120"	SC-HDT-24120	4830	5375	6310	7010
30"	48"	SC-HDT-3048	2445	3145	3615	3960
30"	60"	SC-HDT-3060	2945	3275	3865	4305
30"	72"	SC-HDT-3072	2995	3405	4110	4635
30"	84"	SC-HDT-3084	4805	5285	6100	6720
30"	96"	SC-HDT-3096	5000	5550	6485	7180
30"	108"	SC-HDT-30108	5060	5680	6730	7525
30"	120"	SC-HDT-30120	5125	5810	6980	7850
36"	48"	SC-HDT-3648	3050	3375	3935	4360
36"	60"	SC-HDT-3660	3120	3530	4230	4760
36"	72"	SC-HDT-3672	3195	3685	4520	5160
36"	84"	SC-HDT-3684	5075	5645	6630	7365
36"	96"	SC-HDT-3696	5285	5940	7060	7905
36"	108"	SC-HDT-36108	5355	5090	7350	8300
36"	120"	SC-HDT-36120	5425	6240	7600	8695

*Richlite comes with 1/8" phenolic resin face veneers and a 3/4" baltic birch plywood core.

Makr H Table



Options / Notes:

Casters: +\$190 (height not altered)

Height: 29.5"/ 36"+\$295/ 42" +\$295

Custom Power Cutouts: +\$190

TFL Edge: edgeband ONLY

HPL Edge: edgeband / MDF 90 /
MDF Knife / MDF trim

PLY Edge: PLY 90 / PLY knife

Dimensions

Surface Material

D	W	MODEL NUMBER	TFL	HPL/ Mirlux	PLY	*Richlite	**Butcher Block
24"	48"	SC-HT-2448	2070	2295	2660	2950	3370
24"	60"	SC-HT-2460	2120	2395	2860	3215	3745
24"	72"	SC-HT-2472	2175	2505	3060	3485	4120
24"	84"	SC-HT-2484	2585	2605	3265	3755	4500
24"	96"	SC-HT-2496	2280	2740	3470	4025	4870
36"	48"	SC-HT-3648	2835	3165	3730	4150	4780
36"	60"	SC-HT-3660	2910	3315	4020	4545	5345
36"	72"	SC-HT-3672	2980	3475	4310	4945	5900
36"	84"	SC-HT-3684	3050	3625	4605	5345	6460
36"	96"	SC-HT-3696	3125	3775	4900	5735	7015
48"	48"	SC-HT-4848	3300	3740	4485	5050	5900
48"	60"	SC-HT-4860	3395	3935	4870	5540	6640
48"	72"	SC-HT-4872	3455	4145	5260	6100	7380
48"	84"	SC-HT-4884	3570	4345	5645	6630	8115
48"	96"	SC-HT-4896	3665	4545	6035	7160	8860

*Richlite comes with 1/8"phenolic resin face veneers and a 3/4"baltic birch plywood core.

** Butcher Block is made from select maple,it is finished with hardwax oil,and it is 13/8"thick.